

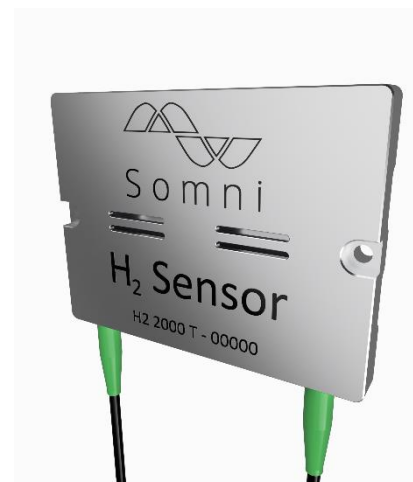
# H2 2000 T - Hydrogen sensor



Fiber Optic Hydrogen sensor specifically designed to detect low concentration molecular hydrogen leakages.

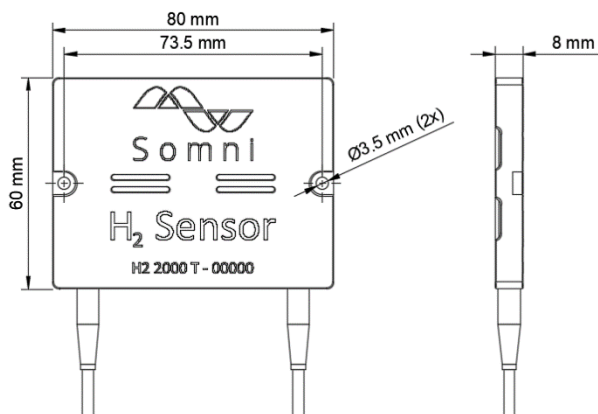
The Hydrogen sensor uses the Fiber Bragg Grating technology to detect hydrogen concentrations up to the lower flammability concentration of 4%.

With just a few seconds response time and unprecedented sensitivity, the H<sub>2</sub> - 2000 T hydrogen sensor is ideal for permanent monitoring of hydrogen production, storage, and transportation facilities.



- Robust design for in- and outdoor environment
- Leak and concentration detection
- High sensitivity
- No electrical components

Parameter	Performance
<b>Sensitivity</b>	2000 pm/% H <sub>2</sub>
<b>Precision</b>	0.1% H <sub>2</sub>
<b>H<sub>2</sub> range (in air)</b>	0.1 – 4%
<b>Response time</b>	< 3 sec
<b>Weight</b>	100 grams
<b>Material</b>	Aluminum
<b>Operational temperature range</b>	-65 to +80 °C
<b>FWHM</b>	< 0.5 nm
<b>Reflectivity</b>	> 50 %
<b>Insertion loss</b>	< 0.1 dB
<b>FBGs</b>	2
<b>Connector options</b>	FC/APC, LC/APC, open end



## Mounting instructions

It is recommended to fasten the sensor on a vertical surface using the two mounting holes as indicated.

## Calibration

All sensors are individually tested and calibrated after manufacturing. Each sensor is shipped with a detailed calibration sheet.

The graph shows a typical response of the sensor exposed to discrete H<sub>2</sub> levels.

