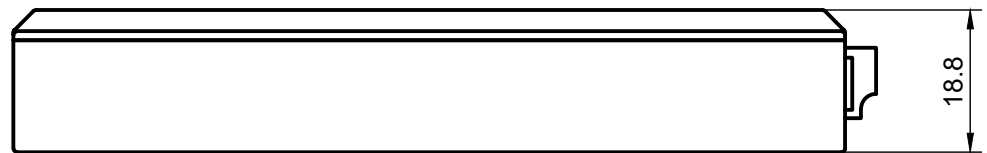
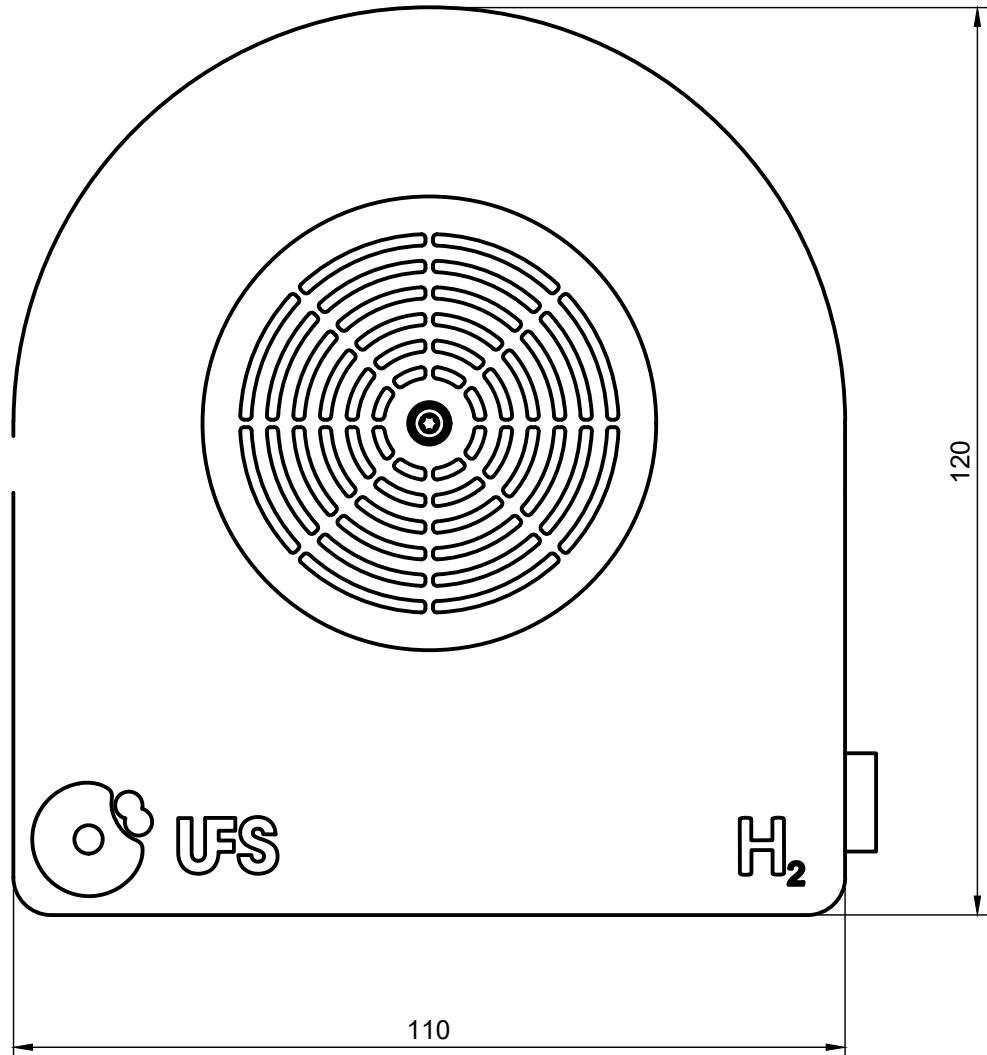


Status:

Preliminary

Tolerances, unless specified otherwise, according to:

NEN-ISO 2768-fK



Product:						H2 T Sensor					
Material:			Volume: n.a.			Finish: n.a.			Drawn: Pascal Willems		
Color: n.a.			Checked:			Revision:			Sheet: 1/1		
[mm]			Scale: 1:1			Paper size: A4			