

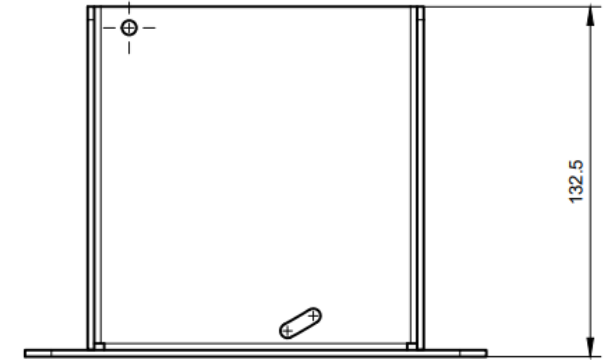
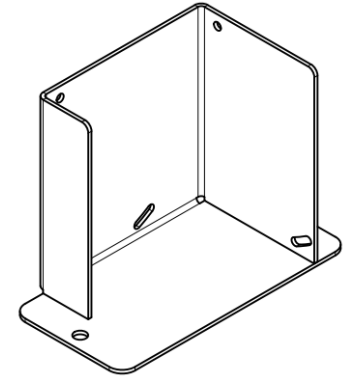
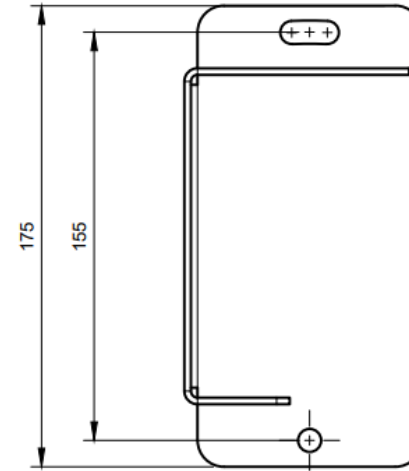
# Tilt sensor floor mount

Applicable with:

- TI 2000 T
- TI 500 T
- TI 200 T

Additional information:

- sheet metal SS 316L
- incl. M5x10 for sensor assembly on mount
- fixing mount depends on substrate, fixing devices not included



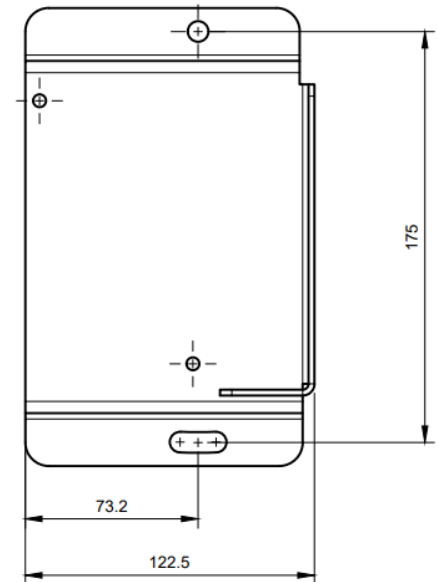
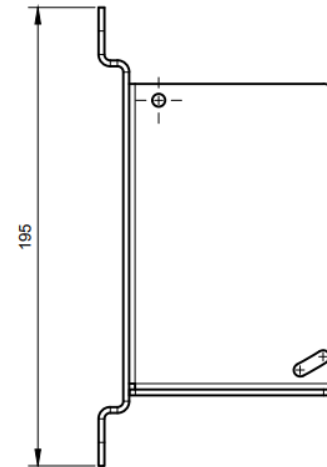
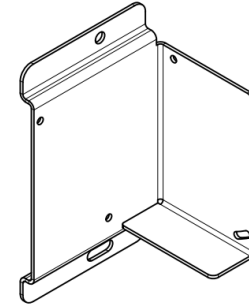
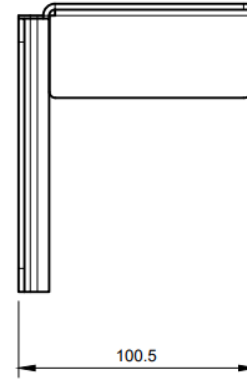
# Tilt sensor wall mount

Applicable with:

- TI 2000 T
- TI 500 T
- TI 200 T

Additional information:

- sheet metal SS 316L
- incl. M5x10 for sensor assembly on mount
- fixing mount depends on substrate, fixing devices not included



# Tilt sensor ceiling mount

Applicable with:

- TI 2000 T
- TI 500 T
- TI 200 T

Additional information:

- sheet metal SS 316L
- incl. M5x10 for sensor assembly on mount
- fixing mount depends on substrate, fixing devices not included

